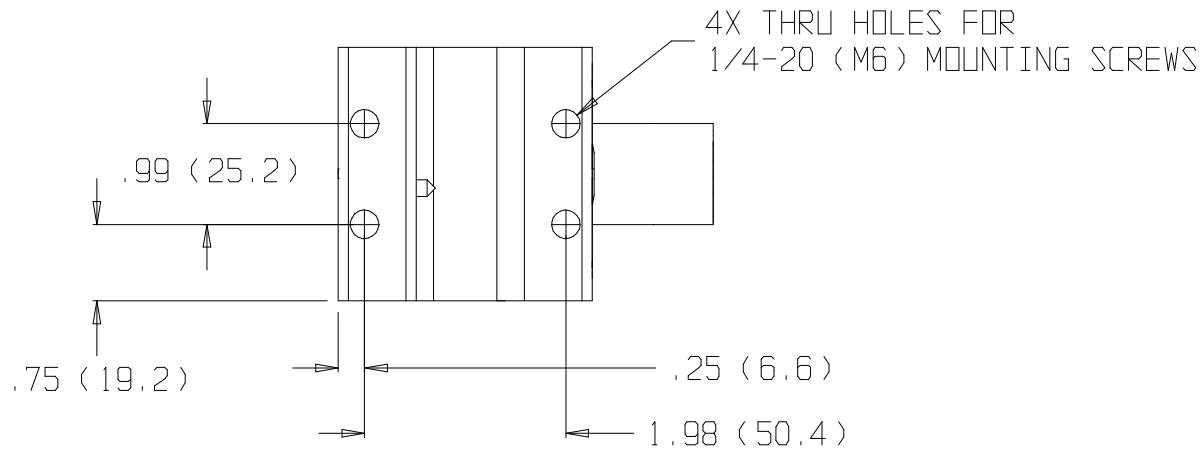
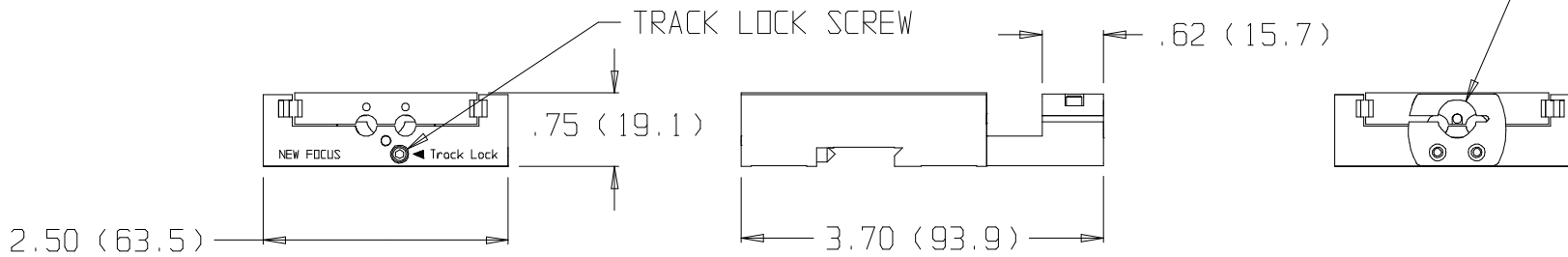
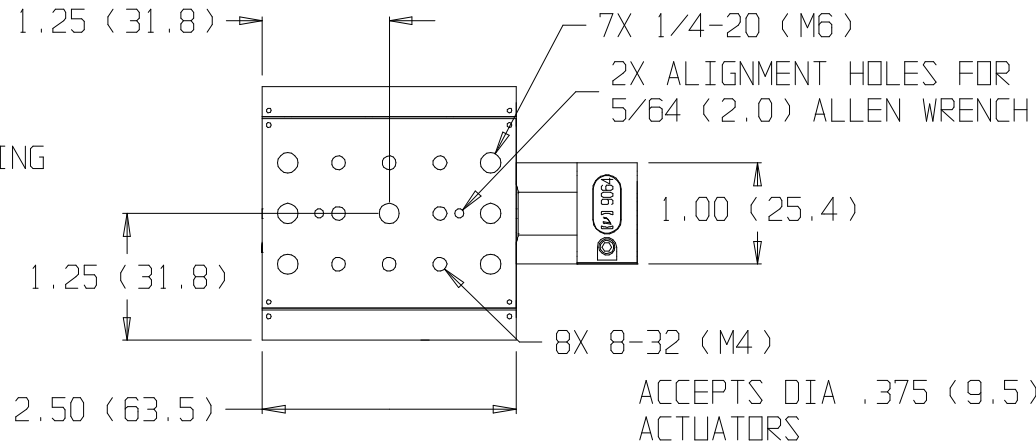


NOTES:

- 1) TRACK LOCK SCREW AND MICROMETER CLAMP ACCEPT 5/64" (2.0) ALLEN WRENCH
- 2) ENGLISH MOUNTING HOLES ON 1/2" GRID. METRIC MOUNTING HOLES ON 12.5MM GRID



9064-X(M) TRANSLATION STAGE
 NEW FOCUS, Inc. SANTA CLARA, CA

REV. B
 8/21/98