

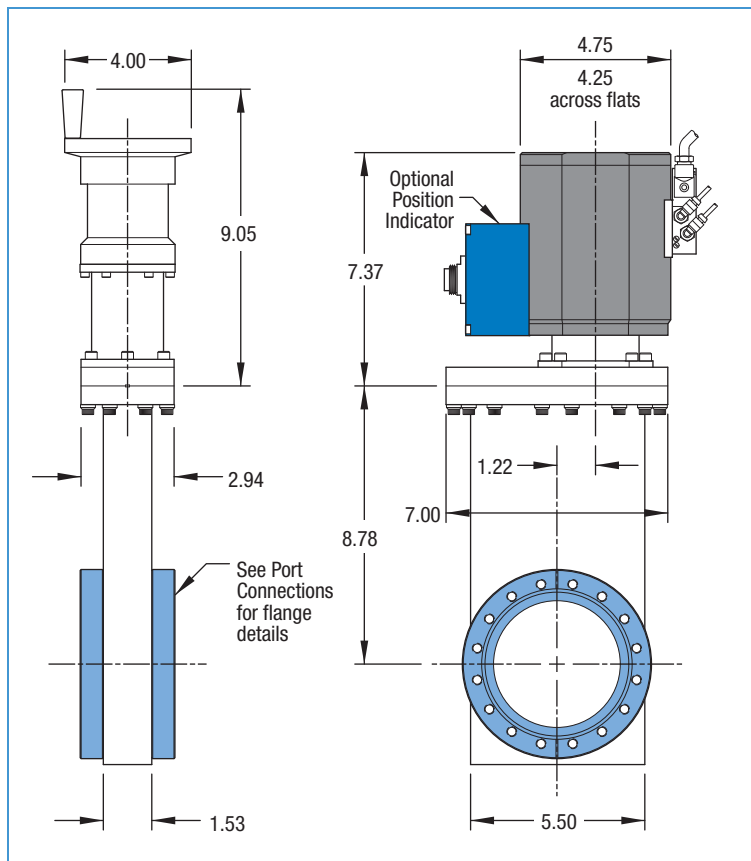
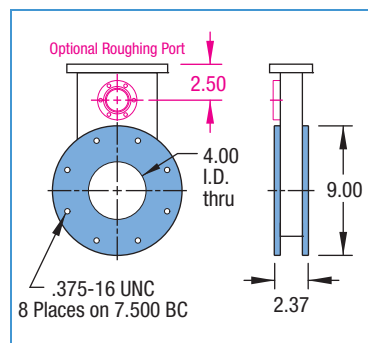
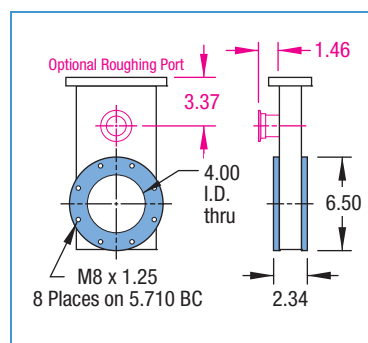
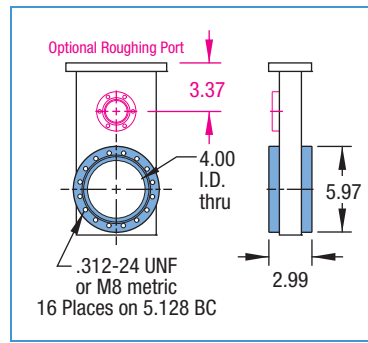
ULTRAHIGH VACUUM SERIES
250°C Metal Sealed Bonnets

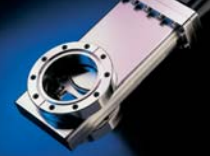
HIGH VACUUM SERIES
150°C Viton® O-Ring Sealed Bonnets

Features

- Viton® O-Ring Sealed Gates
- Stainless Steel Construction
- Manual or Electropneumatic Operation

PORT CONNECTIONS





ULTRAHIGH VACUUM SERIES

METAL SEAL BONNET 250°C¹

ACTUATOR	PORT FLANGE	FLANGE THREAD	BONNET SEAL	WEIGHT POUNDS	REFERENCE	PART NUMBER
MANUAL	DEL-SEAL	UNF	METAL	25	GV-4000M	302004
MANUAL	DEL-SEAL	METRIC	METAL	25	E-GV-4000M	302016
PNEUMATIC	DEL-SEAL	UNF	METAL	25	GV-4000M-P	303004
PNEUMATIC	DEL-SEAL	METRIC	METAL	25	E-GV-4000M-P	303016

HIGH VACUUM SERIES

VITON SEAL BONNET 150°C¹

ACTUATOR	PORT FLANGE	FLANGE THREAD	BONNET SEAL	WEIGHT POUNDS	REFERENCE	PART NUMBER
MANUAL	DEL-SEAL	UNF	VITON	25	GV-4000V	300004
MANUAL	DEL-SEAL	METRIC	VITON	25	E-GV-4000V	300016
MANUAL	ISO	METRIC	VITON	25	LGV-4000V	306005
MANUAL	ASA	UNC	VITON	25	GV-4000V-ASA	304002
PNEUMATIC	DEL-SEAL	UNF	VITON	25	GV-4000V-P	301004
PNEUMATIC	DEL-SEAL	METRIC	VITON	25	E-GV-4000V-P	301016
PNEUMATIC	ISO	METRIC	VITON	25	LGV-4000V-P	307005
PNEUMATIC	ASA	UNC	VITON	25	GV-4000V-ASA-P	305002

¹ See page 166 for detailed bakeout specification

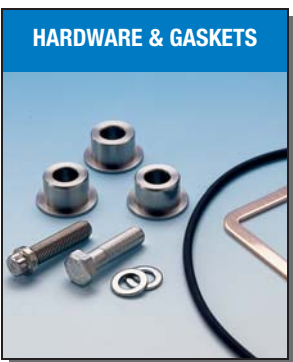
VALVE OPTIONS



DESCRIPTION	OPTION NUMBER
MECHANICAL POSITION INDICATOR	-01
24 VDC AIR CONTROL SOLENOID VALVE	-03
240 VAC AIR CONTROL SOLENOID VALVE	-09
1-1/2" ROUGHING PORT	-05
KALREZ HIGH TEMP O-RING	-11

When ordering Gate Valve Options, please add the option number(s) to the end of the desired UHV or HV Series Gate Valve Part Number listed above. For example 303016-09
Detailed descriptions of each option begin on page 164.

ACCESSORIES



GASKET KIT	MATERIAL	QUANTITY PER PACK	REFERENCE	PART NUMBER
GATE & BONNET SEAL	VITON	1 ²	GVG-4000	354004
GATE & BONNET SEAL	VITON & COPPER	1 ²	GVG-4000M	355004

HARDWARE	THREAD LENGTH	FOR USE WITH	QUANTITY PER PACK	REFERENCE	PART NUMBER
12PT HEAD BOLT SET	.312-24 x 1-1/4"	DEL-SEAL	25	BA-125-12-SP	190058
METRIC HEX HEAD SET	M8, 35mm LONG	DEL-SEAL	25	M8-35-SP	190170
METRIC HEX HEAD SET	M8, 25mm LONG	ISO	25	M8-25-SP	190169
HEX HEAD SET ³	.375-16 x 1"	ASA	16	GVBA-400-SP	190176
BOLT HOLE BUSHING	3/4" TO 3/8" REDUCER	ASA	8	GVBHB	190110

² Each gasket kit contains one Bonnet and one Gate seal

³ Includes bolt hole bushings