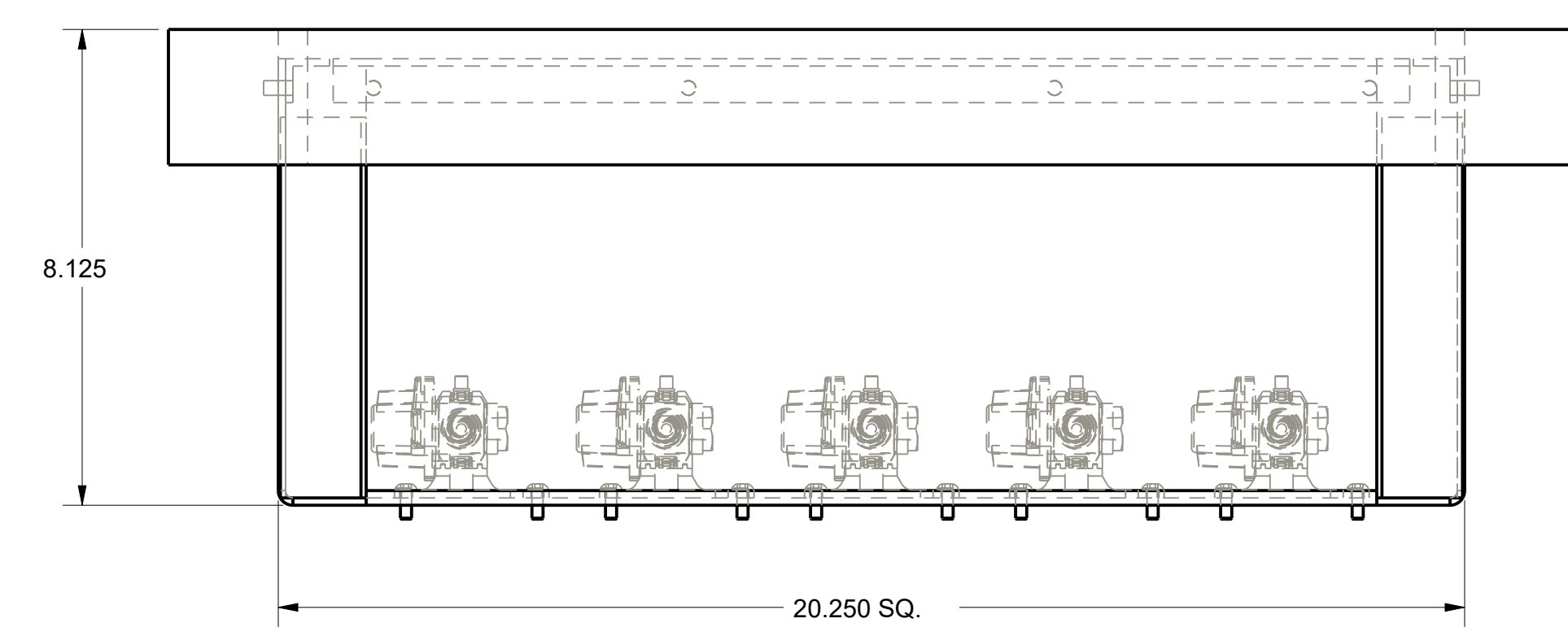
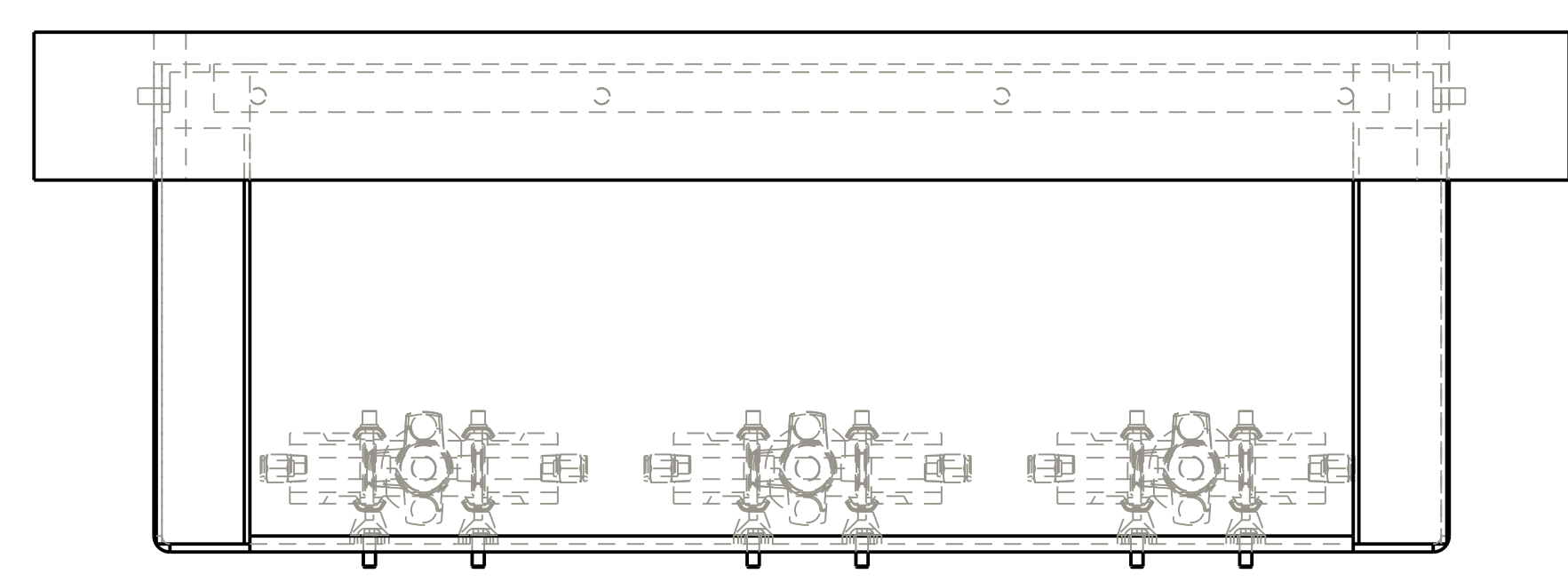


SCALE 0.375



SCALE 0.375



SYMBOL		REVISION RECORD	
PROJECT			
CUSTOMER			
DATE	7/29/21	DRAWN BY	D.BAYLISS
DEFAULT TOLERANCES UNLESS OTHERWISE SPECIFIED	DRAWING TITLE		
DECIMALS	±	FIRST MADE FOR	JOB NUMBER
FRACTIONS	±	SCALE	DRAWING NUMBER
ANGLES	±	NOTED	PSE
SURFACES	✓		